

After Power ON, the Status LED on a Clevertest Plus enabled fitting will display a rapid Green or Red flashing for a period up to 2 minutes.

### Zoneworks, HIVE and DATA Monitored Options

Fittings with part numbers -ZW, -HVG, -DATA are fitted with Zoneworks communications modules (nodes). These fittings are monitored using either Powerline Carrier Technology that utilize the power cable to provide data communication, RF transceiver modules operating in the ISM band or a dedicated data cable to/from data routers installed on a dedicated data trunk connected to a central Server (can also be connected via Ethernet/Internet/Fibre). Zoneworks software on the server is used to monitor, coordinate testing and collate test data from each fitting. Zoneworks Fittings can be commissioned by a single push of the test switch or by scanning the supplied barcode. The LED Test Switch indicator provides a multifunction indication of the status of the fitting during testing and normal operation:

Option	State	LED Operation
ZW, HVG, DATA	Commissioned	LED on Solid (Green)
ZW, DATA	Un-commissioned	<b>Batt plugged-in:</b> yellow 1s, green 1s
		<b>Batt unplugged:</b> red 1s, off 1s
HVG	Un-commissioned With network connectivity	<b>Batt plugged-in:</b> yellow 1s, green 1s
		<b>Batt unplugged:</b> red 1s, off 1s
HVG	Un-commissioned Without network connectivity	<b>Batt plugged-in:</b> yellow 250mS, green 250mS, yellow 250mS, green 250mS, green 1s
		<b>Batt unplugged:</b> red 250mS, off 250mS, red 250mS, off 250mS, off 1s
ZW, DATA	Emergency Light Test In Progress	LED flashes at yellow 5s , Off 1s
HVG	Emergency Light Test In Progress	LED flashes at yellow 1s , Off 1s

In the case of the DATA version a 2-way “figure 8” cable and terminal block facilitates the connection to the DATA network via a multi-drop bus (daisy chain connection). For further information of installation of a Zoneworks system, please refer to the Zoneworks Users Guide and Commissioning Guide (incl. DATA version)

### DALI 2 EM Option

Luminaires with part numbers having -D2 are fitted with DALI 2 certified modules (nodes) that facilitate connection and integration to 3rd Party Lighting Control Systems. Before installing the fitting please confirm that the Lighting Control System has the capability to monitor DALI Emergency Luminaires. The fitting will be addressed and configured into the control system by the Lighting Control System Commissioning Technicians and not Clevertronics.


State	LED Operation
Commissioned/ Un-commissioned	LED on Solid (Green)
Emergency Light Test in progress	LED flashes at 1s On (Yellow) & 1s Off
“IDENTIFY COMMAND”	Lamp and Status LED Flash for 30 seconds

A 2-way “figure 8” cable and terminal block facilitates the connection to the DALI network OR a 5/6way “structured wiring system” lead and plug facilitating the power and DALI connection. DALI connections are marked as Da Da.



## L10™ LIFELIGHT Recessed Splash Proof Emergency Luminaire Installation & Maintenance Instruction Leaflet



NOTE: Standard product codes with this symbol  are enabled with Clevertest Plus capability. Please refer to the operation guide supplied with the product for details.



**Australia (Head Office)**  
Website: [www.clevertronics.com.au](http://www.clevertronics.com.au)  
Email: [info@clevertronics.com.au](mailto:info@clevertronics.com.au)  
Phone: +61 3 9559 2700

**UK OFFICE**  
Website: [www.clevertronics.co.uk](http://www.clevertronics.co.uk)  
Email: [uksales@clevertronics.co.uk](mailto:uksales@clevertronics.co.uk)  
Phone: +44 0 1895 430 255

### Models: LLIFE-RECSP-xx

Testing:	
Manual Test	xx = Blank
Zoneworks	xx = ZW
Z/W DATA	xx = DATA
Zoneworks HIVE	xx = HVG
DALI-2	xx = D2

### Spare Parts:

1553031	Replacement Battery
1100764	Replacement Emergency LED Board
1100766	Replacement Emergency LED Board, Black
UKM01370040002	Replacement Emergency Driver
UKM01270120001	Replacement Emergency Driver (DALI-2)
UKM01870010001	Replacement Emergency Driver (HIVE)

### Important:

It is illegal for anyone, except for a licensed electrician to install or maintain this product. Before installation, ensure that the electricity supply has been switched off and isolated. Installation must be carried out in accordance with the relevant British Standards.

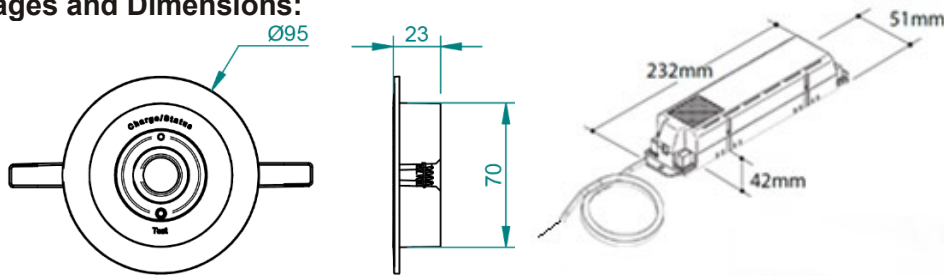
## Installation:

This LLIFE Recessed Non-Maintained Emergency Luminaire can be installed on PLASTER or T-BAR ceilings or used to replace an existing unit.

- First plan the assembly layout ensuring the battery is kept away from any heat source.
- Refer Images and Dimensions below for the Cut-out Hole and other dimensions.
- Use the Spring Clip Mount to mount the Head to the ceiling.
- Please ensure the control pack and battery is suspended above the ceiling. If the control pack and battery are to be mounted or placed on top of the ceiling, then please ensure the ceiling is capable of supporting these elements and in compliance with the relevant regulations with respect to mounting above/on the ceiling.
- This luminaire contains non-user replaceable light source and battery.
- If the external flexible cable or cord of this luminaire is damaged, it shall be exclusively replaced by the manufacturer or his service agent or a similar qualified person to avoid a hazard.
- Terminal block not included. Installation may require advice from a qualified person.
- Recommended specifications of terminal block for connecting leads:
  - Type of Terminal: Screw Terminal
  - Number of Terminals: 2
  - Rated Voltage: 250 V
  - Rated Connecting Capacity: 10A

If the CTP capabilities are activated, please affix the CTP status label to a visible surface and Four Segment Marking on the product will include an "F" in third segment block.

## Images and Dimensions:



Ceiling Cut-out: 80mm diam.

Battery pack: 165mm (L) x 37mm (W) x 35mm (H)

## Lens Replacement

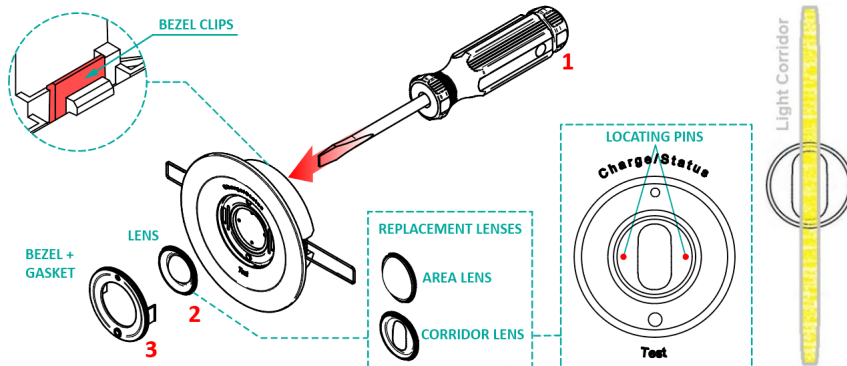
AREA Lens fitted in factory.

STEP 1 - Use a screwdriver to remove the Bezel, Gasket & Lens (Bezel clips highlighted below).

STEP 2 - Replace Lens (for corridor Lens align in required direction using the locating pins).

STEP 3 - Replace Bezel & Gasket (ensure Bezel is pressed firmly to ensure a proper seal).

STEP 4 - If Corridor Lens fitted, ensure Emergency light emission is in the required direction.

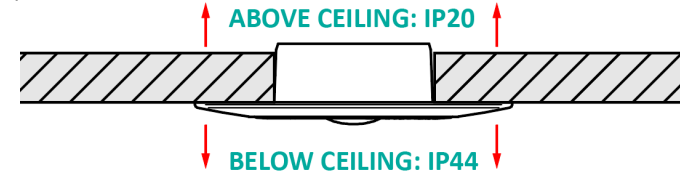


## Battery Replacement:

1. Prior to any work, isolate the power to the luminaire that requires battery replacement.
2. Remove the cable restraint for the battery connection at the Emergency Driver by removing screw.
3. Remove the Battery Connector from the Emergency Driver.
4. Replace battery, reconnect battery connector to Emergency Driver.
5. Reinstall the cable restraint and screw.

## IP Ratings:

- For all components installed below the ceiling I.E. Face of Head Assembly is rated to **IP44**



## Note:

This luminaire (with reinforced insulation between control/LED terminal and AC supply) contains non-user replaceable light source and battery - to be replaced (if required, refer installation instructions for battery replacement) by Clevertronics service personnel/agents or a registered electrician.

If flexible wiring is connected to this luminaire and is within arms reach, the wiring shall be effectively fixed to the wall to reduce the risk of strangulation.

## Testing Procedure:

When the unit is connected to the un-switched active, it must be allowed to charge the battery for at least 24 hours. The emergency lamp only illuminates during a power fail. Conduct the following tests:

- The emergency lamp must illuminate for at least 180 min after disconnection from the mains. If the unit fails to illuminate for the requisite time, remedial action must be taken to repair the situation and once completed, the unit must pass a subsequent test.
- Press and hold Test Button or switch Off Mains Supply, check that the emergency lamp is On.
- Release the Test Button or Switch On Mains Supply, check that the emergency lamp is Off (Non-maintained operation).

## Troubleshooting

**Fault:** The Green LED indicator is not illuminated.

**Check:** A.C. is connected and is turned on.  
Battery is connected.  
Test Switch for damage.

**Fault:** Lamp does not illuminate in emergency mode.

**Check:** A.C. is connected.  
Lamp is correctly inserted.  
Battery is connected

**Fault:** Lamp illuminates in emergency mode, but only stays on for a short period.

**Check:** Battery has been allowed to charge for at least 24 hours.  
Battery for damage.

## Caution:

On many building sites, power circuits may be cut off in an uncontrolled and repetitive basis during construction. As a result, any Exit & Emergency Units, on these circuits, will have their batteries discharged or "cycled". The Li-ion battery in the Exit & Emergency Unit has been selected to give excellent long life performance in a controlled IEC 60598-2-22 testing environment. Excessive battery cycling will reduce through-life performance and may lead to premature battery failure. Battery warranty claims, as a result of such abuse, are specifically EXCLUDED from Clevertronics warranty terms.

## Warranty:

For Product Warranty information and Terms and Conditions of Sales please refer to our website <https://clevertronics.co.uk/product-warranty-statement/>